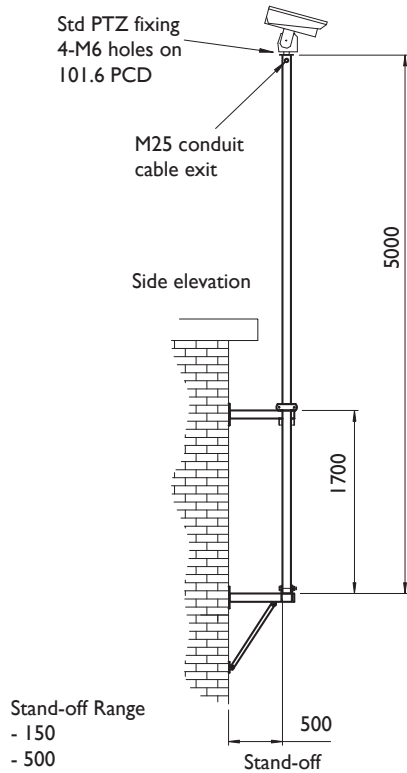
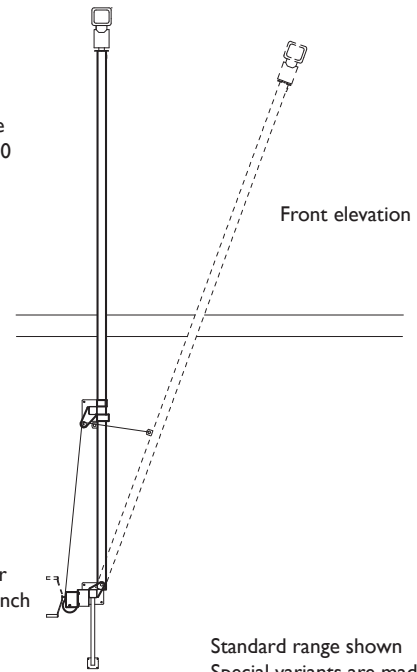


## Technical Specification



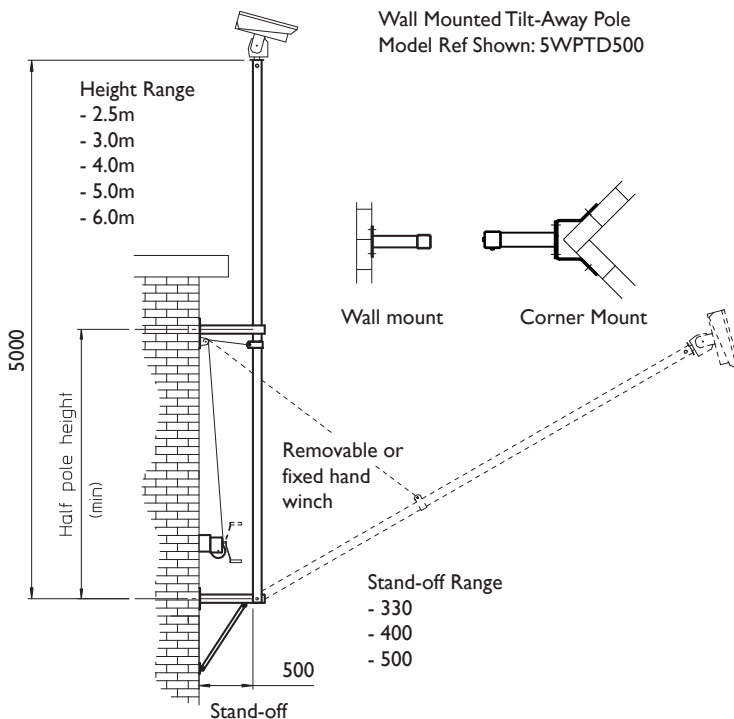
Wall Mounted Tilt-Down Pole  
Model Ref Shown: 5WPTD500

Height Range  
- 2.5m  
- 3.0m  
- 4.0m  
- 5.0m  
- 6.0m



Standard range shown  
Special variants are made to order

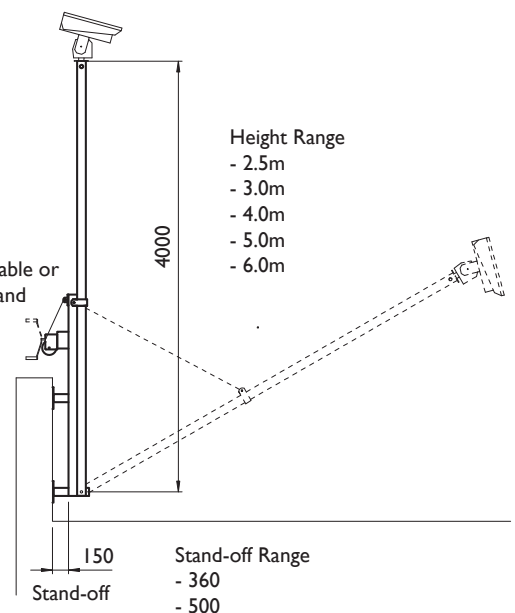
Max. Headload: 25Kgs.  
Max. Windage: 25Kgf.



Wall Mounted Tilt-Away Pole  
Model Ref Shown: 5WPTA500

Height Range  
- 2.5m  
- 3.0m  
- 4.0m  
- 5.0m  
- 6.0m

Parapet Mounted Tilt-Away Pole  
Model Ref Shown: 4PMTA150



Height Range  
- 2.5m  
- 3.0m  
- 4.0m  
- 5.0m  
- 6.0m

### Standards Applicable

- Structural Steelwork: BS EN 10210-1:1994, BS EN 10210-2:1997
- General Steelwork: BS1449:1991, BS1387:1985, BS EN 10025:1993
- Hot Dipped Galvanized: BS EN ISO 1461:2009
- Welding Procedures: Comply with BS EN 1011-2:2001
- Fasteners: Grade 8.8 BS3692:2001, BS4190:2001, DIN931, DIN934
- Design Wind Loading: In accordance with CP3, chapter V Pt 2 & BS 6399 Pt 2:1997
- Paint Finishes: BS4800 and RAL colour range

### Product Ref & Ordering Information

