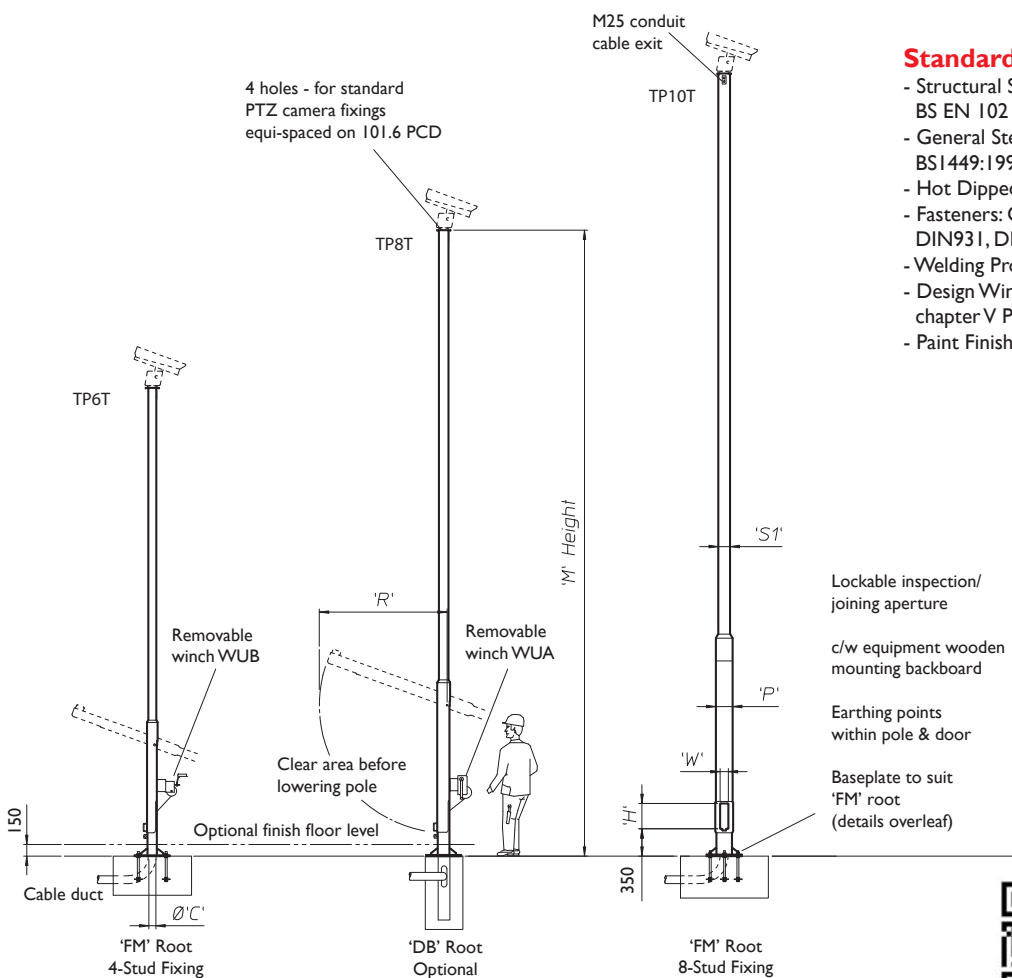


## Technical Specification

Model Ref.	Height 'M'	Tilting rear clearance 'R'	Post Section 'P'	Pivot Section 'S1'	Door aperture 'H' x 'W'	Cable access hole Ø'C'	Maximum equip cap'ty	Weight Kgs.	Winch Selection
TP4T	4 mtr.	1150	120x120	Ø114	325 x 105	Ø108	25Kg.	92 Kgs.	WUA or WUB
TP5T	5 mtr.	1150	120x120	Ø114	325 x 105	Ø108	25Kg.	100Kgs.	WUA or WUB
TP6T	6 mtr.	1150	120x120	Ø114	325 x 105	Ø108	25Kg.	140Kgs.	WUA or WUB
TP8T	8 mtr.	1650	150x150	Ø139	325 x 105	Ø140	25Kg.	305Kgs.	WUA
TP10T	10 mtr.	2150	200x200	Ø193	325 x 105	Ø200	25Kg.	335Kgs.	WUA

All dimensions in mm unless otherwise stated

TPT/WUA Heavy Duty  
TPT/WUB Light Duty



### Standards Applicable

- Structural Steelwork: BS EN 10210-1:1994, BS EN 10210-2:1997
- General Steelwork: BS1449:1991, BS1387:1985, BS EN 10025:1993
- Hot Dipped Galvanized: BS EN ISO 1461:2009
- Fasteners: Grade 8.8 BS3692:2001, BS4190:2001 DIN931, DIN934
- Welding Procedures: Comply with BS EN 1011-2:2001
- Design Wind Loading: In accordance with CP3 chapter V Pt 2 & BS 6399 Pt 2:1997
- Paint Finishes: BS4800 and RAL colour range



Scan this code on your smartphone to access our Operating Instructions and Videos on our website!

## Accessories & Adaptors

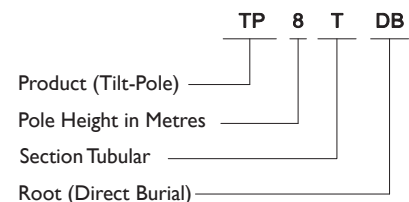
TPT/ACB Anti-Climb Bracket  
 TPT/Paint Paint to BS4800 & RAL Colours  
 TPT/SDA Swept Dome Adaptor  
 TPT/SDA2 Swept Dome Adaptor Dual  
 TPT/PT1-S2 1 Pan & Tilt c/w 2 Static Adaptors  
 TPT/TPTA Twin Pan & Tilt Adaptor  
 TPT/3SA Triple Static Adaptor  
 TPT/2SA Twin Static Adaptor  
 TPT/ISA Pan & Tilt - Single Fixed

TPT/CS150-300 Column Spacers 150mm-300mm  
 TPT/TBC Telemetry Clamp Bracket  
 TPT/HSD-F High Security Door Option  
 TPT/DB Decorative Banding

### Removable Winches

Although the WUA auto brake winch is initially more expensive, it has the versatility to cover the range of WEC products and has a quicker operating action.

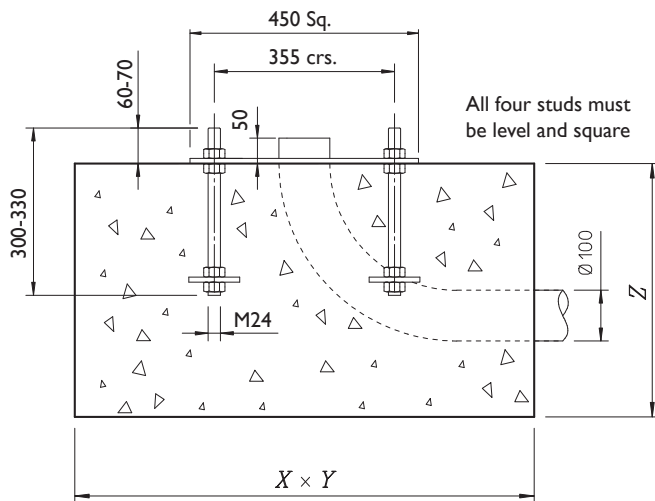
### Product Ref & Ordering Information



## Base and Windload Specification

Concrete Foundation Table X x Y x Z							
Model Ref	Height	Area of Country			Area of Town		
		A	B	C	A	B	C
TP4T	4m	1.0x1.0x 0.5m Dp.	1.1x1.1x 0.55m Dp.	1.1x1.1x 0.55m Dp.	1.0x1.0x 0.5m Dp.	1.0x1.0x 0.5m Dp.	1.1x1.1x 0.55m Dp.
TP5T	5m	1.0x1.0x 0.5m Dp.	1.1x1.1x 0.55m Dp.	1.1x1.1x 0.55m Dp.	1.0x1.0x 0.5m Dp.	1.0x1.0x 0.5m Dp.	1.1x1.1x 0.55m Dp.
TP6T	6m	1.0x1.0x 0.5m Dp.	1.1x1.1x 0.55m Dp.	1.1x1.1x 0.55m Dp.	1.0x1.0x 0.5m Dp.	1.0x1.0x 0.5m Dp.	1.1x1.1x 0.55m Dp.
TP8T	8m	1.2x1.2x 0.6m Dp.	1.3x1.3x 0.65m Dp.	1.3x1.3x 0.65m Dp.	1.1x1.1x 0.55m Dp.	1.2x1.2x 0.6m Dp.	1.3x1.3x 0.65m Dp.
TP10T	10m	1.4x1.4x 0.7m Dp.	1.5x1.5x 0.75m Dp.	1.5x1.5x 0.75m Dp.	1.3x1.3x 0.65m Dp.	1.3x1.3x 0.65m Dp.	1.4x1.4x 0.7m Dp.

A minimum soil bearing pressure of 75 KN/m<sup>2</sup> is assumed

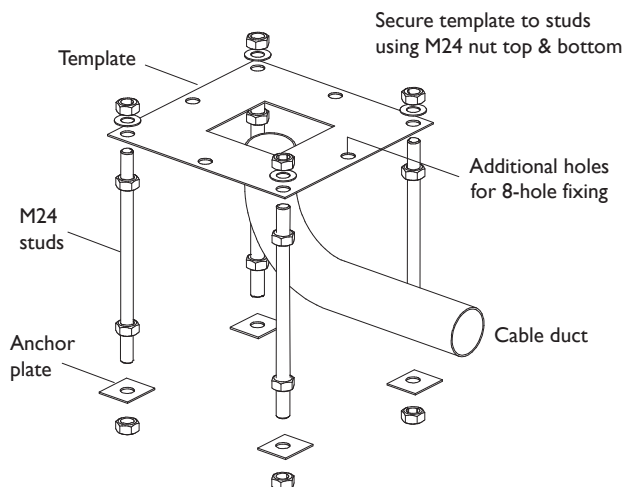


### FM Root (FM)

4-hole fixing - up to 8m  
8-hole fixing - 10m

fig. 1

### FM Root Assembly



### Installation Method

1. From the map, select location of installation
2. Excavate as per recommended area and depth
3. Assemble root base as shown in fig. 1
4. Insert root base into the hole ensuring that it is level and that the four studs protrude 60-70mm above the concrete foundation
5. Fit the cable duct if routing via the interior of the column. A plastic pipe of approximately 100mm outside diameter is recommended for this. Ensure this protrudes through the template by 50mm minimum.
6. Pour concrete ensuring that it is a mix of C35 to table 6 BS 81 10 and then tamp down well
7. Fit the setting template over the four protruding studs, double-checking that they are level and that clear access can be gained to the cable duct if it is being used
8. Leave the concrete to cure for a minimum of 72 hours prior to attempting to erect the column
9. When fitting the column, ensure that the concrete base is in complete contact with the underside of the column and grout accordingly
10. When the column has been fitted, protect the studs with a suitable protective coating. Denzo tape or similar is recommended for this

Foundation sizes are determined for three sets of wind speeds, which will cover most of the British Isles.

Area A = 44m/s (98mph)  
Area B = 48m/s (107mph)  
Area C = 52m/s (116mph)

Maximum gust speed is likely to be exceeded on average once every 50 years at 10m above the ground in open level country.